



MEGA FORTRIS
G R O U P

HIGH SECURITY SEAL **CONTAINER BOLT LOCK (CBL)**

Container Bolt Seal

Two options for greater security.

Container Bolt Lock complies to ISO 17712 and CTPAT with it featuring two types of pins to counter forced removal. Made of hardened steel, it gives greater strength and reinforced security. It is truly the fundamental piece for high-value assets securing.

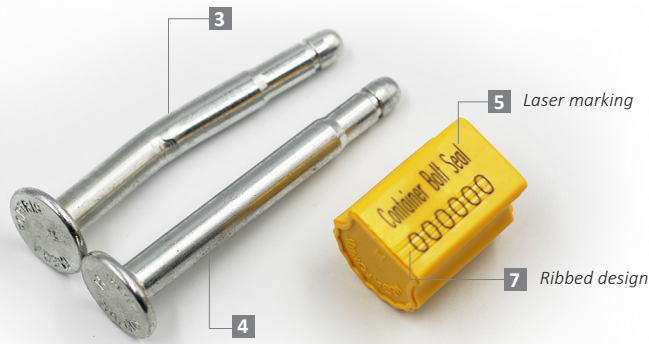
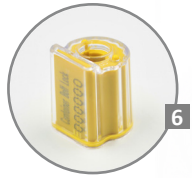
Applications:

- Containers
- Trucks
- Trailers
- Rail Cars



PREVENTION · PROTECTION · PEACE OF MIND





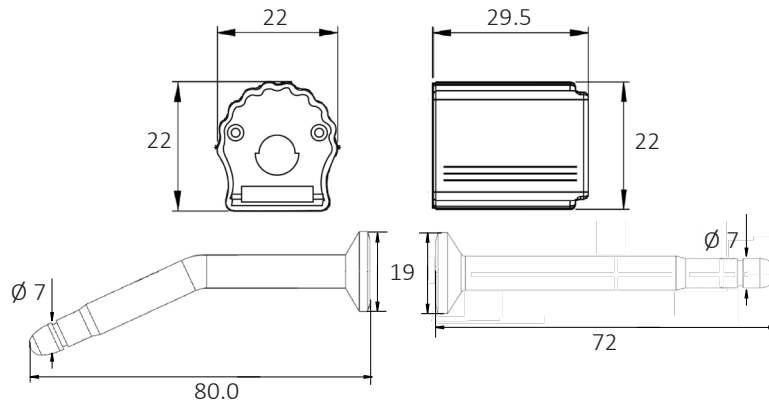
LASER MARKING OPTION



VIEW APPLICATION GIF



- 1 The Container Bolt Lock is made of hardened steel pin and bush. PP material is moulded over the bush to form into a plastic barrel for durability while withstanding extreme weather conditions of -20°C to 80°C.
- 2 The pin is available in angled or straight option for various applications and requirements.
- 3 Angled pin is stronger to counter forced removal for any door latches.
- 4 Straight pin is rigid and versatile with its securing ability guaranteed.
- 5 Irreversible identifiers such as name, logo, barcode, serial number and QR code are laser-marked on the barrel for higher security.
- 6 An optional transparent cover on the barrel further secures the identifier and provides high visibility.
- 7 Biodegradable additives for the plastic material are available. Ribbed design on the barrel prevents tampering on the identifier.
- 8 The seal is designed, tested and certified ISO 17712:2013.



TECHNICAL SPECIFICATIONS

PRODUCT - CONTAINER BOLT LOCK (CBL)						
Code	Material	Locking Length	Pin Diameter	Tensile Strength	Marking Area	Max Marking Digits
CBL - straight pin	Plastic : High-impact Polypropylene (PP) Pin & Bush : Hardened Steel Straight Pin	44.55 mm (1.75 in)	Ø 7 mm (0.3 in)	≥1000 kgf (≥2204.6 lbf)	14 x 25 mm (0.6 x 1.0 in)	Serial no : 8 Barcode : 8
CBL - angled pin	Plastic : High-impact Polypropylene (PP) Pin & Bush : Hardened Steel Angled Pin	44 mm (1.73 in)				

PACKAGING						
Carton	Quantity	Dimensions (mm)	Gross Weight (kg)	Volume (m³)	Standard Pastel Colours	
CBL - straight pin Inner	250	300 x 270 x 160 (11.8 x 10.6 x 6.3 in)	15.15 (33.07 lb)	0.013 (0.5 cu.ft.)	Barrel : WH PSYL PSOR PSRD PSBL PSGN	
CBL - angled pin Inner			14.15 (32 lb)		For colour customisations, kindly contact us for further information.	

Updated Date : 23 June 2022